

STEALTH FLOOD 4

External Lighting



Product Overview

Stealth Flood with sturdy design & unique light distribution delivers both quality lighting with energy efficiency & longevity.

- Light output: Up to 191,600Lm
- Efficacy: 120Lm/W
- IP66 Rating
- Thermal rating: 50°C
- Integral LED driver
- Built in 10kV Surge protection (20kV optional)



Product Applications

- General flood light applications
- Various sport fields
- Stadiums
- High pole square lighting
- Harbours
- Wharfs
- Tower cranes
- Open air markets
- Various public and commercial spaces
- And many more external lighting applications

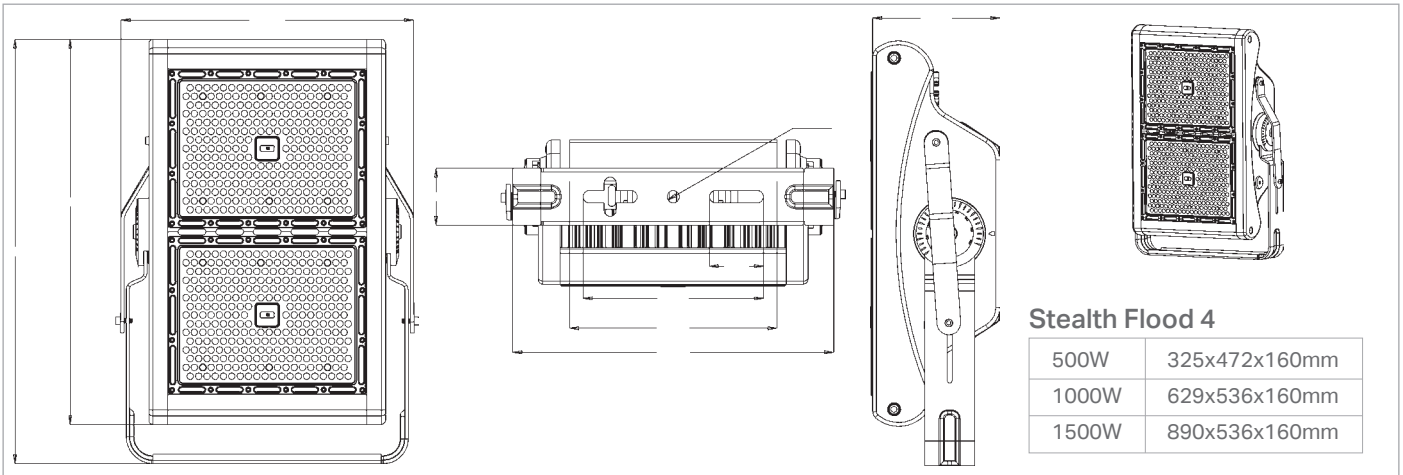
- Highly efficient driver can work in place of unstable voltage
- High pressure cast Aluminium housing: Black finish
- Standard warranty: 5 years *
- Ease of installation & maintenance free
- Sturdy design to survive in adverse conditions





Main Features

Product Name:	Stealth Flood 4
AC Input:	90-305 V AC, 50/60Hz
CRI Range:	CRI>80
CCT Range:	5000K (3000K, 4000K, 5700K optional)
Luminous flux:	64,884Lm (500W) 127,190Lm (1000W) 191,600Lm (1500W)
Power options:	500W to 1500W
Light distribution:	Symmetrical
Beam Angle Options:	25°, 45°, 60° (10°, 90° optional)
Control system:	1-10v dimming (optional)
Net Weight:	15kg (500W), 25.8kg (1000W), 36.6kg (1500W)



Stealth Flood Options

Protect your family, company and community with lighting customisable to your specific needs.



Contact Us

LTC Head Office:

Sales: 1300 832 372

Email: sales@lighttc.com.au

Admin: 1300 832 372

Email: admin@lighttc.com.au

Website: www.lighttc.com.au



Address:

251 Rawson Street,
Auburn, NSW. 2144. Australia.