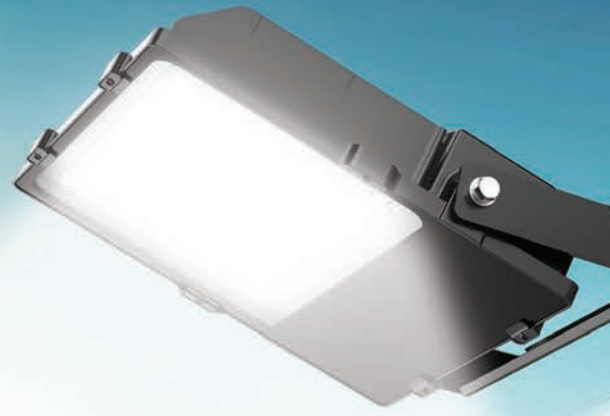


STEALTH FLOOD 3

External Lighting



Product Overview

Stealth flood with sturdy design & unique light distribution delivers both quality lighting with energy efficiency & longevity.

- Light output: Up to 37,500Lm
- Efficacy: Up to 125 Lm/W
- IP66 Rating
- Thermal rating: 50°C
- Integral LED driver
- Built in Surge protection up to 12kV



Product Applications

- General flood light applications
- Various sport fields
- Stadiums
- Shopping Centres
- Accent lighting
- Parking lots
- Various public and commercial spaces
- And many more external lighting applications

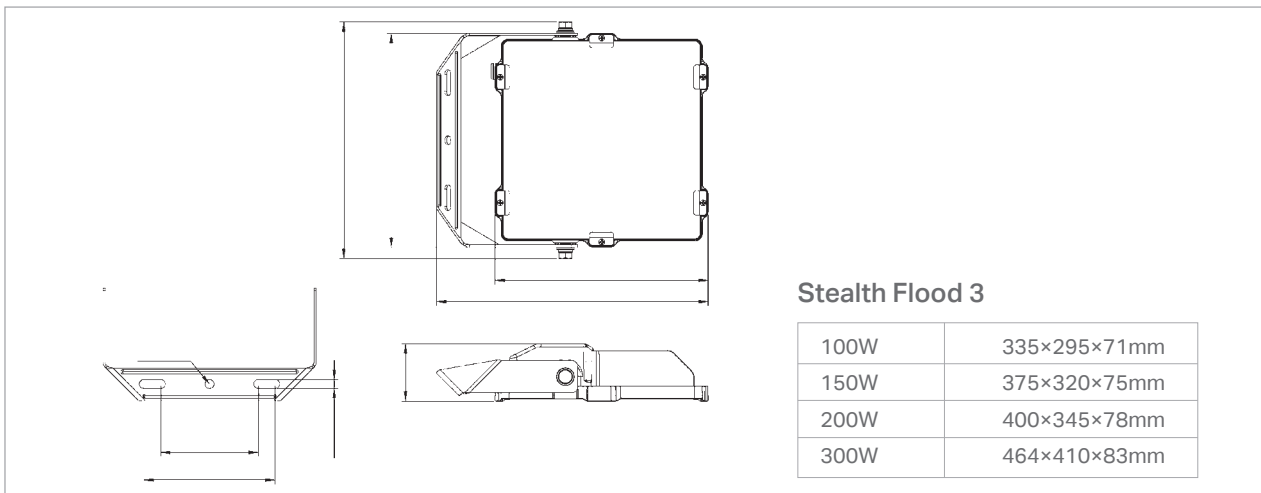
- Customisable to your project needs
- High pressure cast Aluminium housing: Black finish
- Standard warranty: 5 years *
- Ease of installation & maintenance free
- Sturdy design to survive in adverse conditions





Main Features

Product Name:	Stealth Flood 3
AC Input:	220-240 V AC, 50/60Hz
CRI Range:	CRI 80
CCT Range:	5000K (3000K, 4000K optional)
Luminous flux:	12,500Lm (100W) 18,750Lm (150W) 25,000Lm (200W) 37,500Lm (300W)
Power options:	100W to 300W
Light distribution:	Asymmetric or Symmetrical
Beam Angle options:	120° (15°, 30°, 60°, 90°, F01601, F01602 optional)
Control system:	1-10v dimming (optional)
Net weight:	3.4kg (100W), 4.5kg (150W), 5.5kg (200W), 8.3kg (300W)
Accessories:	Trunnion arm (bracket), Clamp bracket adaptor, Spigot adaptor (42mm, 60mm, 76mm), Standard plug



Stealth Flood Options

Unique design, with bent bracket for easy one-step installation



Contact Us

LTC Head Office:

Sales: 1300 832 372

Email: sales@lighttc.com.au

Admin: 1300 832 372

Email: admin@lighttc.com.au

Website: www.lighttc.com.au



Address:

251 Rawson Street,
Auburn, NSW. 2144. Australia.