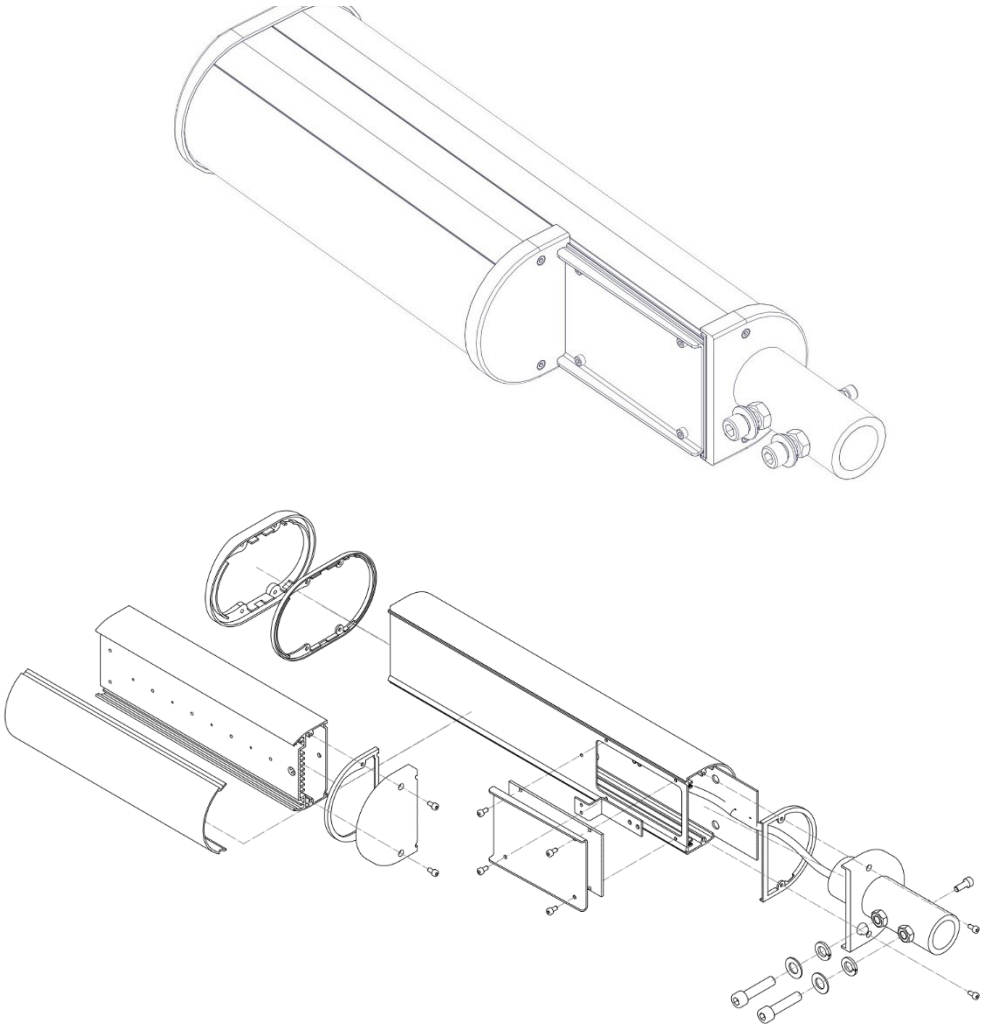


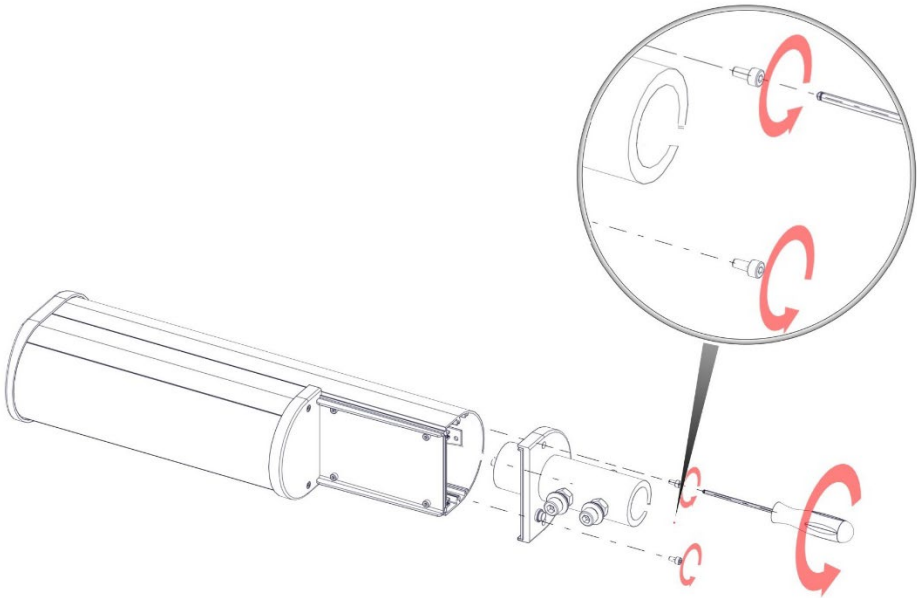


DIY **MUST BE
INSTALLED
BY A LICENSED
ELECTRICIAN**



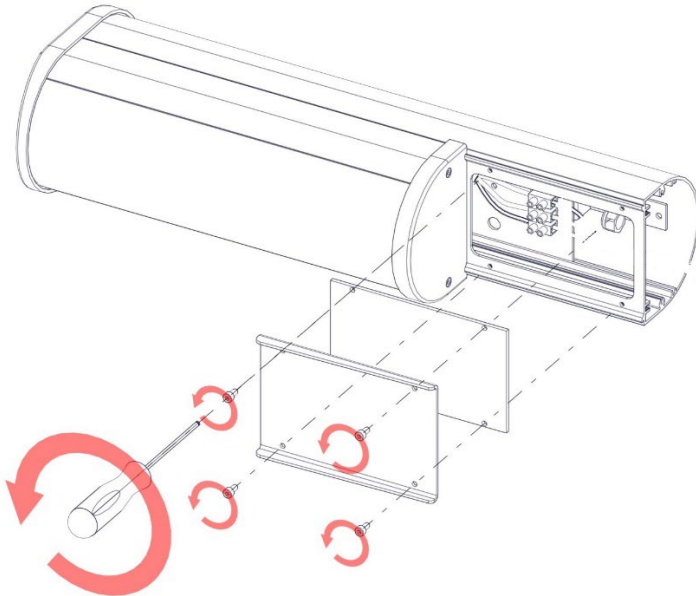
STEP 1

Unscrew the screws (2 pcs) and take out the spigot unit.



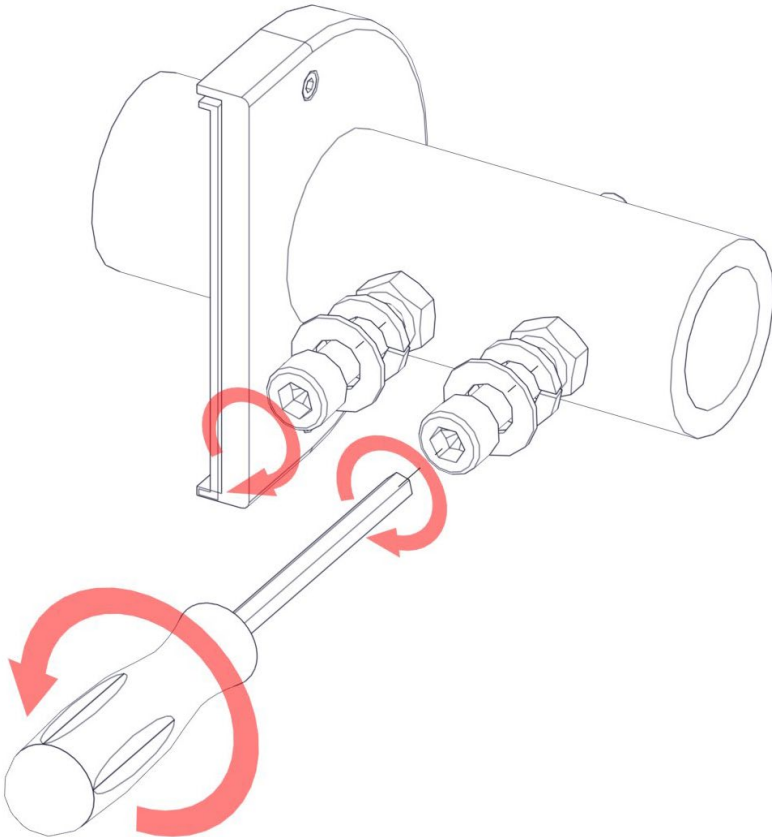
STEP 2

Open up the cover plate by unscrewing 4 x screws



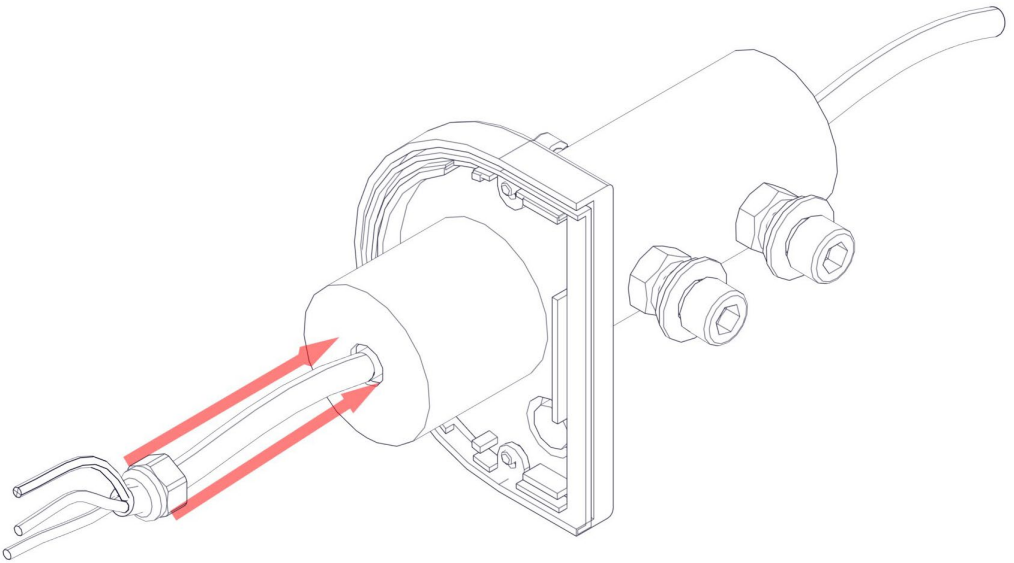
STEP 3

Loosen the 2 x screws (M12) on the spigot unit



STEP 4

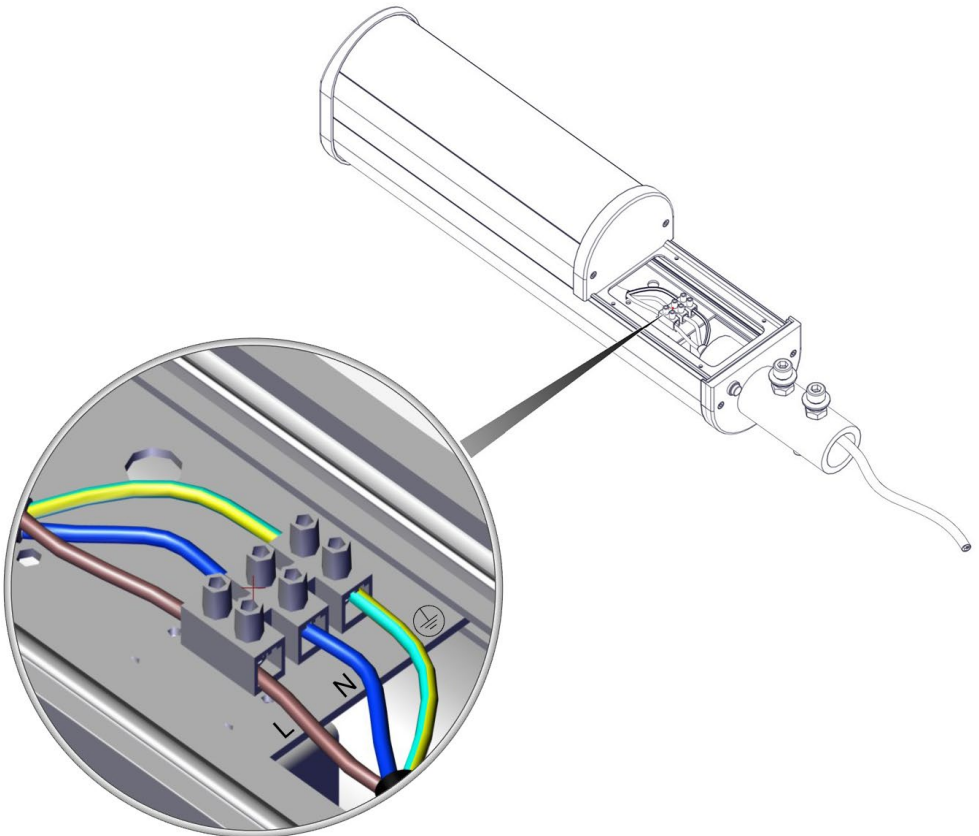
Take the cable gland out . Bring the cable from the pole (mounting pole) through the cable gland,then tighten (after leaving sufficient length for cable termination).Then ,put the cable & cable gland assembly through the spigot unit and tighten the other side with the cable gland lock nut.



STEP 5

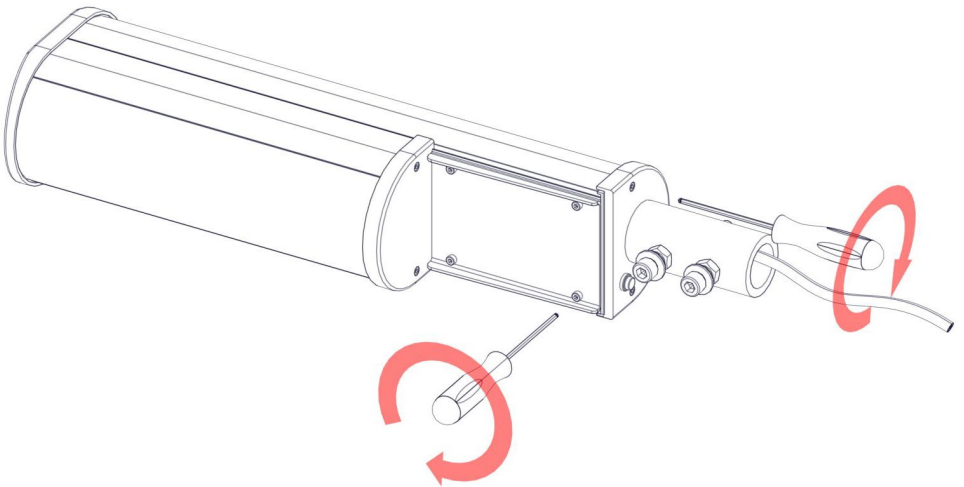
Terminate the cable in to the terminal block .

L-Mains (Brown), N- Neutral (Blue), G-Ground /Earth (Yellow/Green)



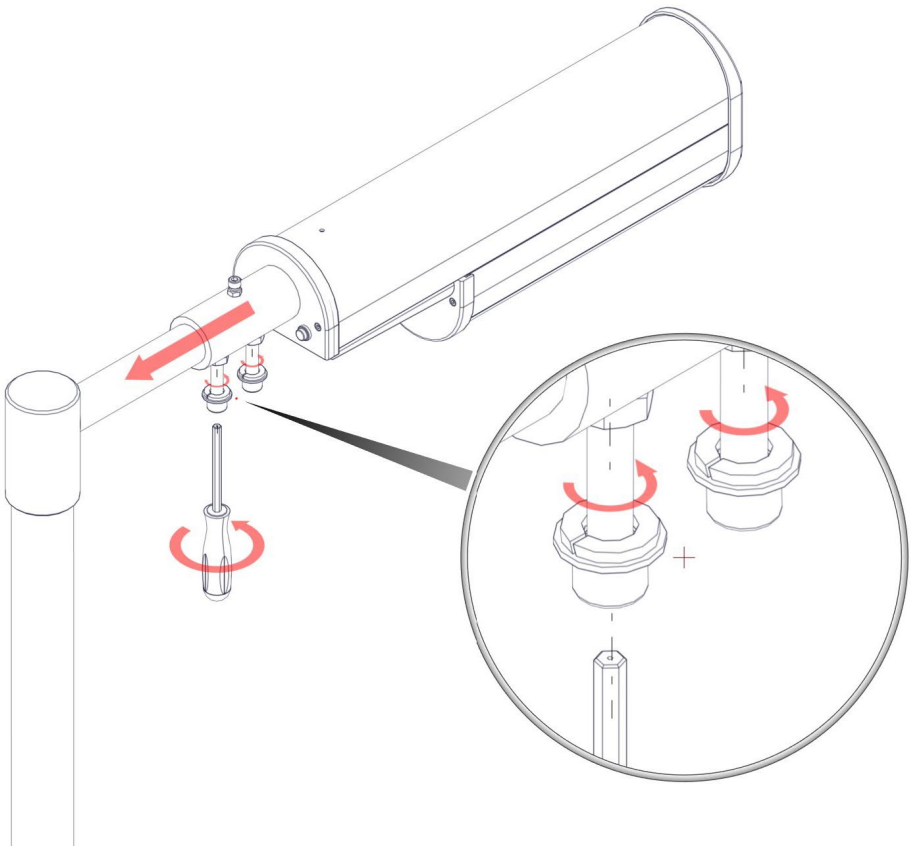
STEP 6

Put all the parts together . i.e screw them (spigot , cover plate etc.) back to the light fitting.



STEP 7

Feed the cable through and slide the light unit spigot on to the pole spigot or pole.



CAUTIONARY NOTES:

1. Prior to installation, products are to be stored in a cool & dry environment.
2. The product must be installed & maintained by a licensed electrician as per the relevant Australian standards & regulations.
3. Risk of Electric Shock: Must isolate Mains Supply before opening the enclosure
4. Please read the installation instructions carefully before installation or maintenance of this product.
5. Products installed in high wind; high vibration environments must have appropriate fastening methods to ensure the long-term safety of installation.
6. Make sure the product is securely installed.
7. Products installed in highly corrosive environments may need special attention in product selection, installation, fastening methods etc. It is essential to adopt specifically designed ongoing maintenance program for such application to ensure the design integrity of the product.
8. Do not touch the product housing. The product housing may become hot after operation.
9. Keep the optical face clean always to ensure the best possible luminaire efficacy.
10. The installation instructions were correct at the time of print. However, 'LTC Lighting' reserve the right to amend the instruction without a notice.