



LIGHTING
TECHNOLOGY & CONTROL

Lighting Technology & Control Pty Ltd
PO Box 5605, Chullora, NSW. 2190
Norfolk Road and Wentworth Street
Greenacre, NSW. 2190. Australia
Phone: (+61) 9462 4922
ACN: 607 221 223
Email: sales@lighttc.com.au
WEB: www.lighttc.com.au

TECHNICAL DATASHEET OF HI-GIENE SQUARE SURFACE 250 W





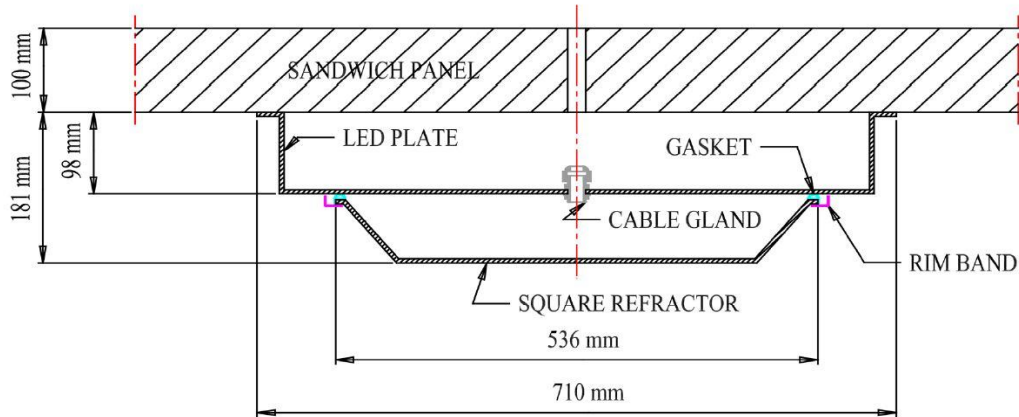
Item No.	CONTENTS	Page No.
1	PHYSICAL SPECIFICATION	3
2	ELECTRICAL PARAMETERS	3
3	POLAR CURVE AND PHOTOMETRICAL PARAMETERS	4
4	THERMAL PARAMETERS AND LED LIFE PROJECTION	5
5	TEST REPORTS AND COMPLIANCE	6

The attached data sheet provides a summary of the test results for this light fitting. Individual copies of comprehensive test reports are available on request. For the complete copy of all test reports, request the 33756 Appendix to admin@lighttc.com.au



1. PHYSICAL SPECIFICATION

LIGHT FIXTURE DIMENSION	710 X 710 X 180.5 mm
GEAR MOUNTING PLATE DIMENSION	324.2 X 173 X 1.5 mm
REMOTE DRIVER BOX DIMENSION (OPTIONAL)	405 X 150 X 100 mm
Weight (approx.)	15 Kg

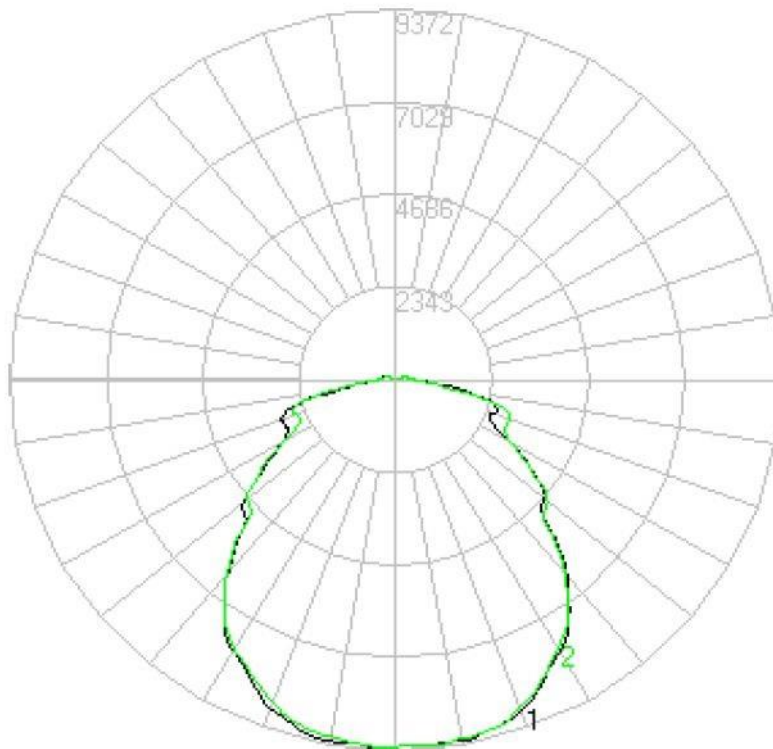


2. ELECTRICAL PARAMETERS

LCP (Lamp Circuit Power, AC mains)	252W (NATA)
Supply Voltage	100-240 VAC
Supply current	1.06 A
Supply Frequency	50Hz
Power Factor	0.98
NLP (Nominal Lamp power, DC)	234.35 W DC
Typical DC voltage	36V DC
Typical LED Current	723mA
Typical inrush current	75A (t width=570µs measured at 50% I peak) at 230V AC



3. POLAR CURVE AND PHOTOMETRICAL PARAMETERS



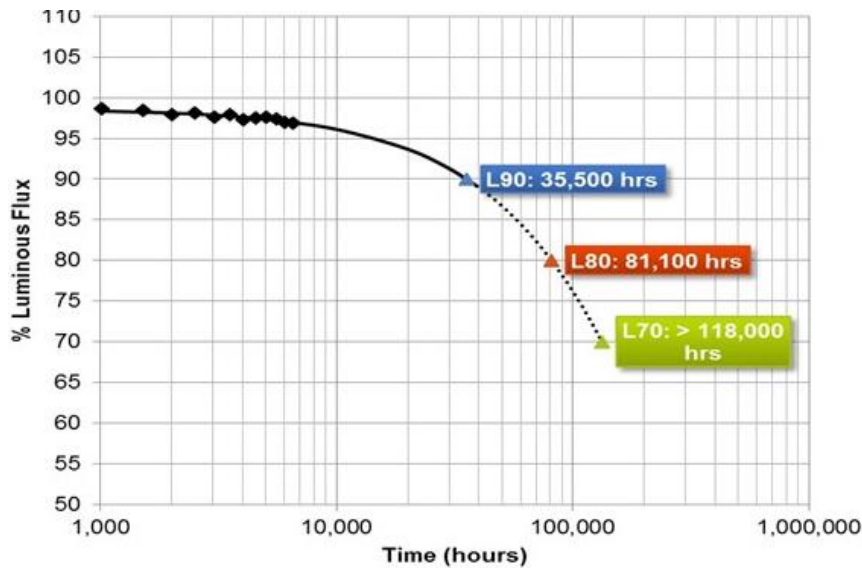
0-180° Vertical Plane
90-270° Vertical Plane

Total luminous Flux	27155 at 25°C ambient and 252W LCP (NATA)
Type of light distribution	Symmetrical wide distribution
Correlated Colour Temperature (CCT)	4000K
Mac Adam Ellipse	3 step
Colour Rendering Index (CRI)	80



4. THERMAL PARAMETERS AND LED LIFE PROJECTION

Thermal rating (integral driver)		up to 30 °C ambient		
Item No.	Temperature Measuring Point	Temperature (°C)		Pass/ Fail
		Stabilized reading	Limits	
1	Room Ambient Temperature	30		
2	Ambient temperature -Electronic driver	55.5	70	Pass
3	Tc point -Electronic driver	72	90	Pass
4	Tc point -LED	72.5		Pass
5	Calculated LED junction temperature	93.58	150	Pass
Calculated L70 (70% lumen maintenance)		118,000 Hrs		
Calculated L80 (80% lumen maintenance)		81,000 Hrs		
Calculated L90 (90% lumen maintenance)		35,500 Hrs		



*LED LIFE PROJECTION (at 30 °C ambient temperature, at approx. LED Tj= 110.34 °C)



5. TEST REPORTS AND COMPLIANCE

Item No.	TYPE OF TEST	TEST REPORT	
Light Fitting			
1	Photometric test (NATA) according to LM79-08	LedLab , 160205PH	
2	LCP test (NATA)	LedLab , 160209LCP	
3	Thermal test according to AS/NZ 60589	LTC, TH-1002-33756-160224	
Electronic driver			
4	Main Terminal Disturbance Voltage Measurement	Interocean EMC Technology Corp. Test report filing No. 9A091803EL-01	
5	Radiated disturbance (9 kHz to 30 MHz) Measurement		
6	Radiated disturbance (30 MHz to 300 MHz) Measurement		
7	Harmonic Current Emission Measurement (EN 61000-3-2)		
8	Voltage Fluctuations and Flicker Measurement (EN 61000-3-3)		
9	Performance Criterion of Immunity Test		
10	Electrostatic Discharge Immunity Test (IEC 61000-4-2)		
11	Radio-Frequency, Electromagnetic Field Immunity Test (IEC 61000-4-3)		
12	Electrical Fast Transient/Burst Immunity Test (IEC 61000-4-4)		
13	Surge Immunity Test (IEC 61000-4-5)		
14	Radio-Frequency, Conducted Disturbances Immunity Test (IEC 61000-4-6)		
15	Power Frequency Magnetic Field Immunity Test (IEC 61000-4-8)		
LED			
16	LM-80 and TM-21 projection (calculated)		Cree