



**27,000
FIXTURE
LUMENS**

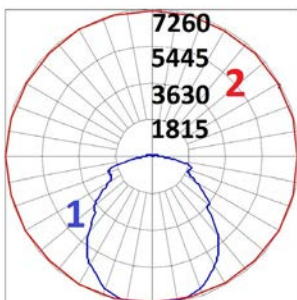
//MAIN FEATURES

- **Light output range:** Fixture Lumens 27,000
- **Light Distribution:** Medium Beam
- **IP Rating:** IP 66 optical chamber and body
- **CRI:** 80 CRI
- **Colour Temp:** 4000K and 5000K
- **Body Type:** Aluminium white powder coated
- **Lens Type:** Injection moulded acrylic
- **Thermal Rating:** 30°C ambient or 50°C with remote control gear
- **Warranty:** 5 Years
- **Australian Made:** Designed and manufactured in Australia

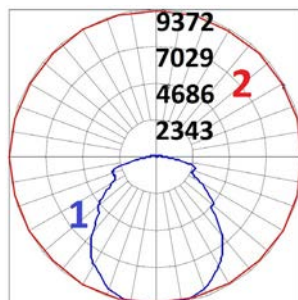
//DESIGN FEATURES

- Complies with the requirements for the food processing industry
- PCB / Cree LED designed and manufactured in Australia with a unique combination multi-chip LED surface mount technology
- 80 CRI Multi Chip LED either 3 step MacAdam ellipse PCB / multi chip surface mount LED Heat Sink design and assembly integrating optimum thermal management
- Refractor lens designed to provide maximum glare control, spreading the intensity of the LED light sources over a large surface area
- Acrylic injection moulded refractor lens (non- yellowing)
- Lens frame stainless steel with food grade white solid silicone gasket
- Housing 5mm solid aluminium heat sink body, pre treated and powder coated white.
- Housing external fixing for IP66 seal and ease of installation
- Thermal cut-out and short circuit protection
- Optional microwave movement sensor and 1 to 10 volt dimming
- Integral control gear 30°C ambient rated
- Optional remote control gear 50°C ambient rated

//PHOTOMETRIC DISTRIBUTION CURVE

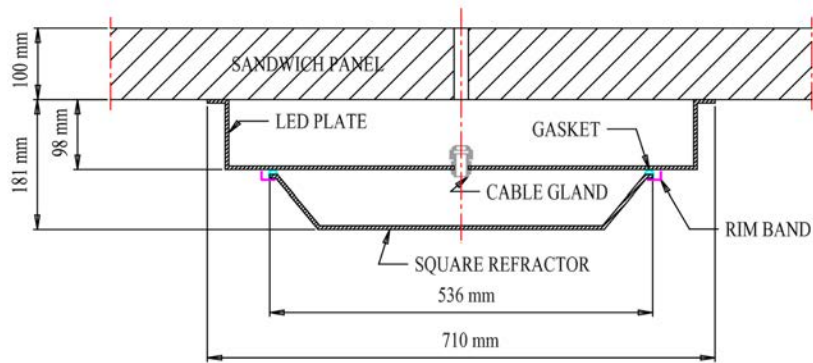


21,000 lumen, 180 Watt



27,000 lumen, 250 Watt

//FITTING DIMENSIONS



//HI - GIENE SQUARE SURFACE SPECIFICATION TABLE

MODEL	FIXTURE LUMENS	MOUNT	**CCT KELVIN (x1000)	CRI	GEAR (Remote or Integral)	WATTAGE (W) Maximum LCP	LIGHT DISTRIBUTION	ORDERING CODE*	APPROX. STANDBY POWER (SENSOR ENABLED LIGHTS @20 % SETTING) W
Hi-Giene Square Surface	27000	S	5	80	I	250	M	HGS27S580I250M	50
Hi-Giene Square Surface	27000	S	5	80	R	250	M	HGS27S580R250M	50
Hi-Giene Square Surface	21000	S	5	80	I	180	M	HGS21S580I180M	36
Hi-Giene Square Surface	21000	S	5	80	R	180	M	HGS21S580R180M	36
Hi-Giene Square Surface	16000	S	5	80	I	150	M	HGS16S580I150M	30
Hi-Giene Square Surface	16000	S	5	80	R	150	M	HGS16S580R150M	30

* Available with

- Standalone movement sensors(MS/MSAD),
- Paired (via RF signals) movement sensors (RMS/RMSAD) etc.
- Standalone movement + daylight (up to 500lux)sensor (MSAD/DL)

** Available in 4000K CCT as well.

Contact LTC sales for further details

//FITTING IMAGES



*Optional remote control gear