

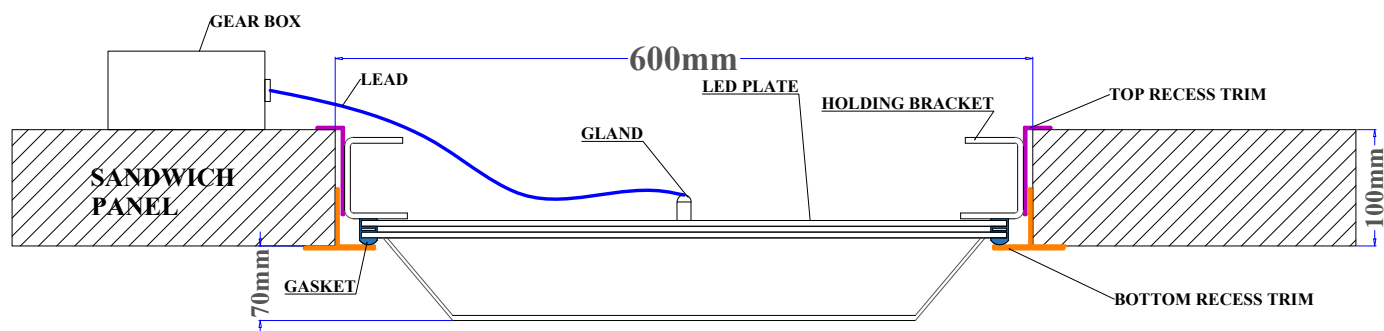


//HI-GIENE SQUAR RECESSED

//DESIGN FEATURES

- **Light output range:** Fixture Lumens 27,000
- **Light Distribution:** Medium Beam
- **IP Rating:** IP 65
- **CRI:** 80 CRI
- **Colour Temp:** 4000K and 5000K
- **Body Type:** Aluminium Heat Sink Plate
- **Lens Type:** Acrylic
- **Thermal Rating:** 50 degrees
- **Warranty:** 5 Years
- **Australian Made:** Designed and manufactured in Australia

- PCB / Cree LED designed and manufactured in Australia with a unique combination multi-chip LED surface mount technology
- 80 CRI Multi Chip LED either 3 step MacAdam ellipse
- PCB / multi chip surface mount LED Heat Sink design and assembly integrating optimum thermal management
- Refractor lens designed to provide maximum glare control, spreading the intensity of the LED light sources over a large surface area
- Acrylic injection moulded refractor lens (non- yellowing)
- Recessing Flange Options:
 - Stainless Steel white powder costed
 - Steel zinc treated, white powder coated
- Thermal Cut-Out and short circuit protection



// HI - GIENE SQUARE RECESSED SPECIFICATION TABLE

MODEL	FIXTURE LUMENS	MOUNT *	CT KELVIN	CRI	GEAR	WATTAGE (W)	LIGHT DISTRIBUTION *	ORDERING CODE
HGS	27000	R	4	80	R	250	M	HGS27R480R250M

*Available Light Distribution M = Medium as standard or N = Narrow

*R-recessed (surface mounted version available)

// FITTING IMAGES



Lighting Technology & Control Pty Ltd

Office. 1300 832 372

Email. admin@lighttc.com.au

Address. Cnr. Norfolk Road & Wentworth Street, Greenacre, NSW, 2190 Australia.

www.lighttc.com.au

