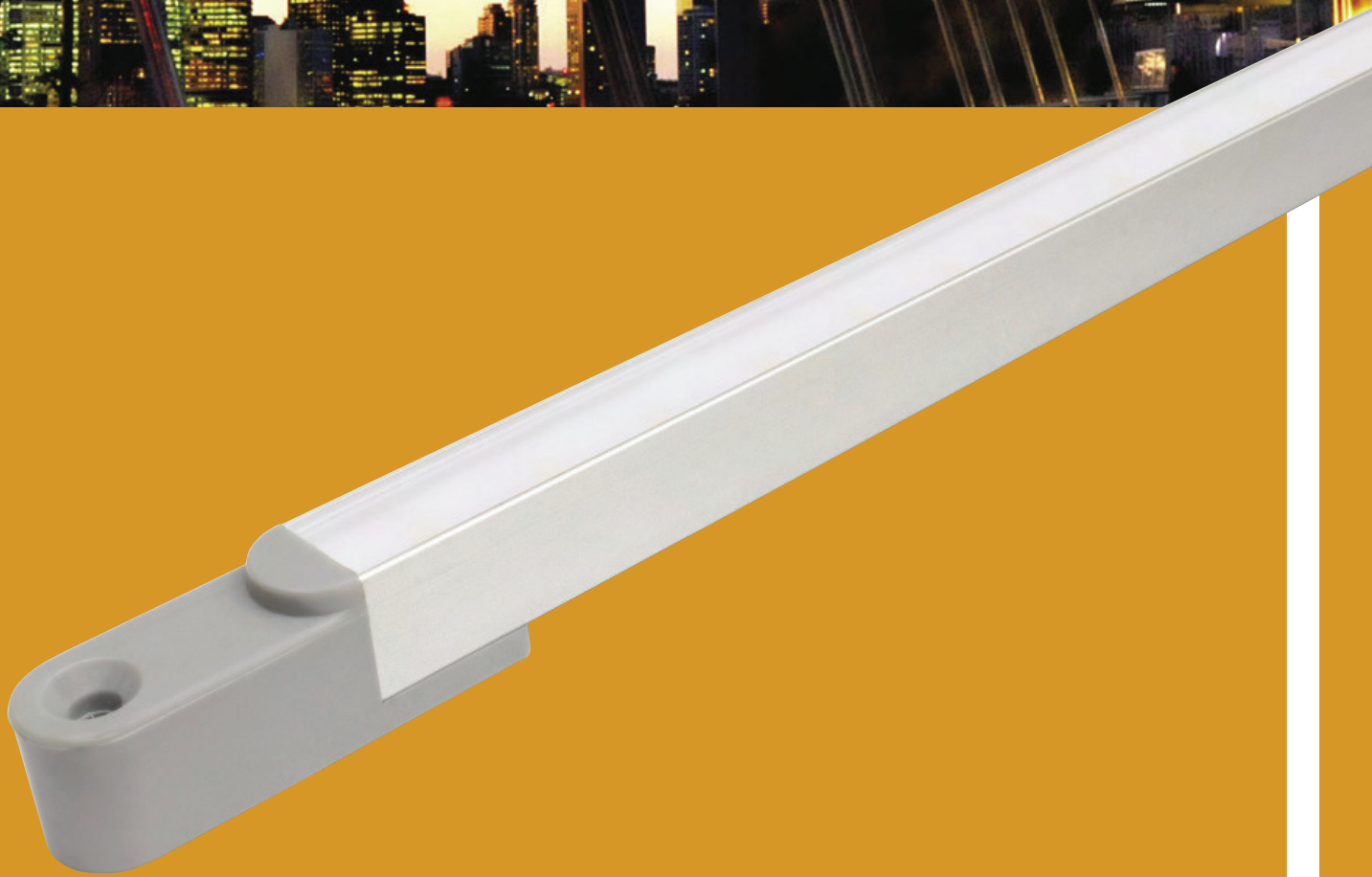




**LIGHTING**  
TECHNOLOGY & CONTROL



SOLUS  
POWER  
LED

# POWERLED IP LINEAR

**IP66**  
**IK10**  
**Frosted lens / Opal diffuser**  
**180 - 2480mm lengths**  
**14W per metre**  
**140 LEDs per metre**  
**2700K / 4000K / 5000K / monocolour**

**Interior & exterior applications**  
**Recessed / semi-recessed & surface mounted**  
**Easy to install**  
**Low maintenance**  
**No ultra-violet radiation**  
**Dimmable with Pulse Width Modulation**  
**Emergency mode system available**

## RECESSED / SEMI-RECESSED / SURFACE MOUNTED

### OFFICE / COMMERCIAL / RETAIL / PUBLIC AREA / LEISURE / INTERIOR & EXTERIOR ENVIRONMENTS

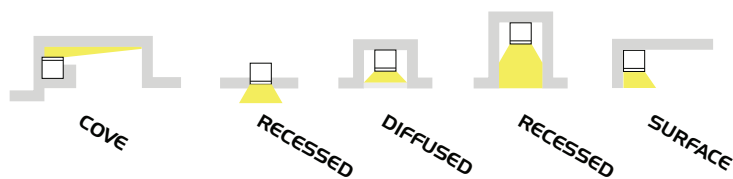
Coves / undercabinet / reception desks / kitchen & breakout areas / toilets / spa rooms  
bathrooms / entrance & corridor / stair treads / changing facilities / alcoves / display walls  
Perimeter wayfinding / orientation lighting / wallwashing / signage

LED based lighting is the most innovative and complex lighting system that has come to the lighting industry. LED lighting brings with it design flexibility, long life, energy reduction, electronic control and programming, as well as technical complexity, lack of standardisation and fast changes in output performance.

PowerLED IP Linear combines a classic design concept with technical qualities that assure the user flexibility of use and installation, and faultless performance throughout life. The technical principles of the PCB allow precise setting of the LED output, which means that all LEDs in PowerLED IP Linear guarantee the same output characteristics.

The low profile, slim cross-section, diversity of lengths, light colour options and ease of installation make the product a truly flexible lighting solution for a variety of interior and exterior applications.

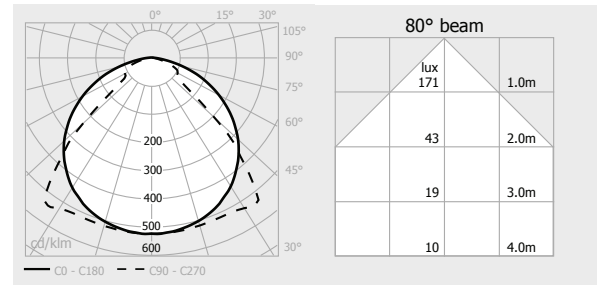
## TYPICAL APPLICATIONS:



# POWER2 LED handrail

**IP66**  
**IK10**  
**Plug & play design**  
**395mm 4.2W**  
**2700K / 4000K / 5000K**  
**50.000 hour life**

**Interior & exterior applications**  
**Easy installation**  
**Low maintenance**  
**Emergency mode system available**  
**Suitable for circular & non-circular profiles**  
**Electrical bus system for long continuous runs**



## OFFICE / RETAIL / INTERIOR & EXTERIOR ENVIRONMENTS

Metal handrails / timber handrails / extruded & formed architectural profiles  
 street furniture / benches / posts / columns / bridges / staircases  
 entrance access points / walkways

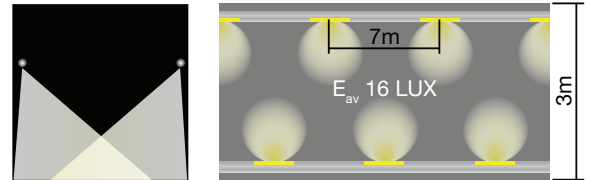
The handrail solution allows specifiers and contractors complete flexibility throughout all stages of a project.

The PowerLED Handrail can be installed after the handrail has been manufactured and fitted by the metalwork contractor. The fixtures are installed through pre-cut apertures in the rail, and connected to the electrical bus system by an IP rated plug and play connector.

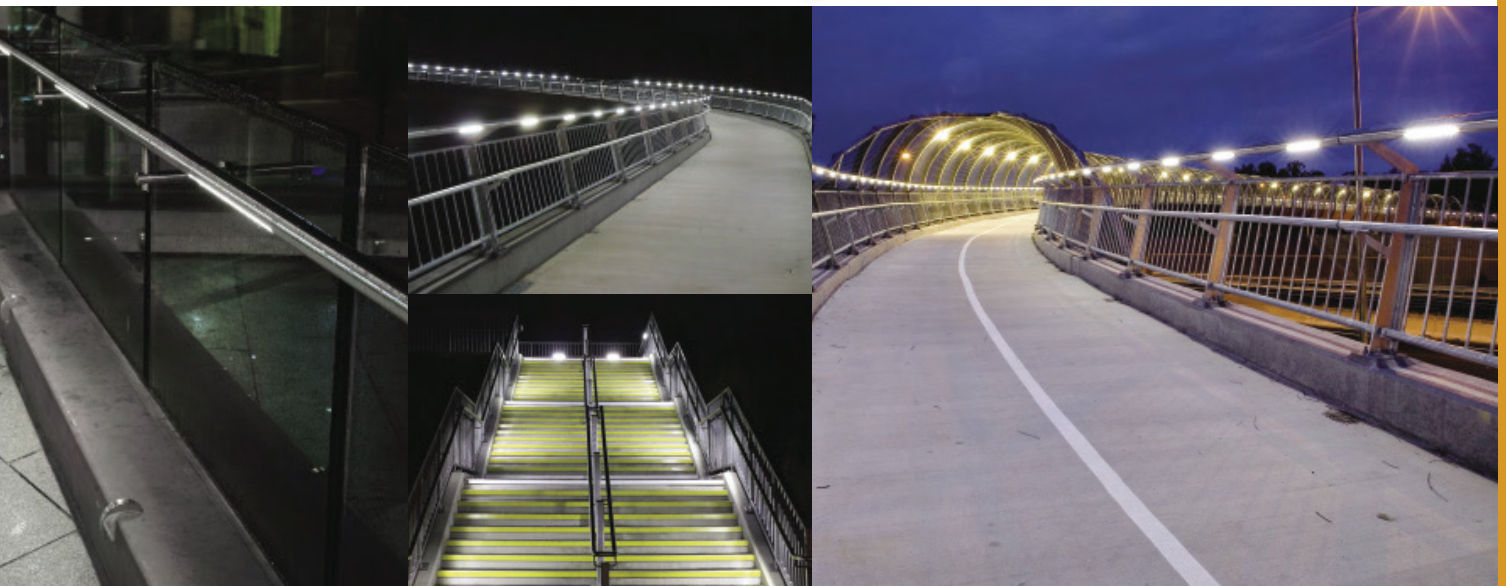
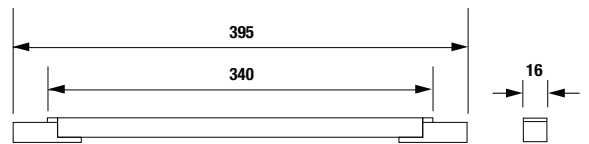
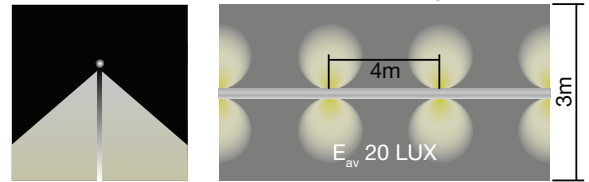
Long continuous runs make the PowerLED an ideal solution for bridges, overhead flyovers, internal glazed walkways and staircases.

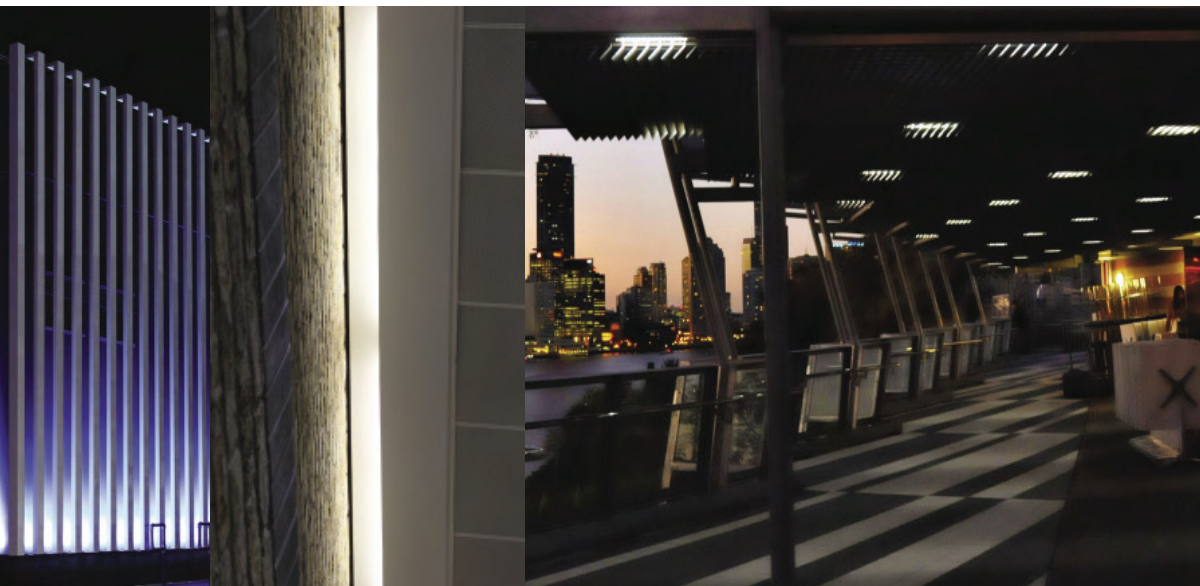
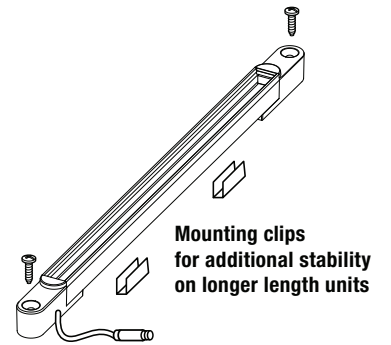
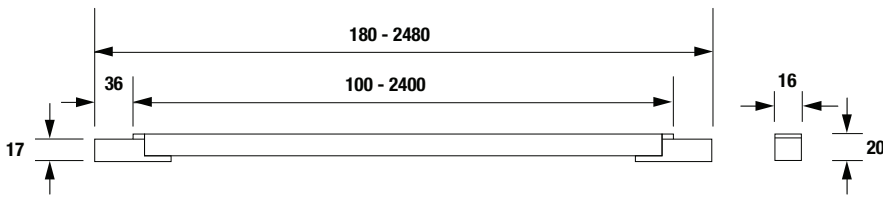
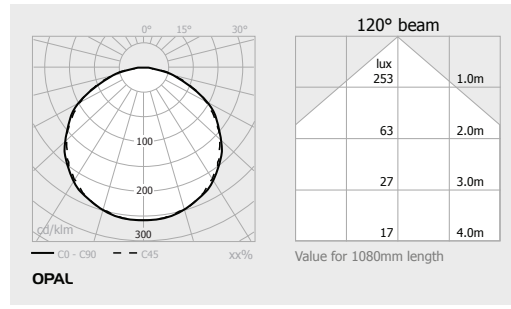
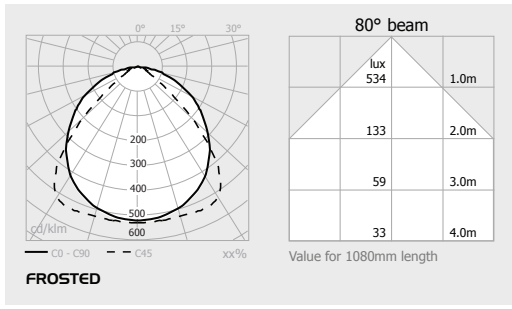
Emergency lighting options are available on request.

4.2W 395mm Uniformity Factor >0.50



4.2W 395mm Uniformity Factor >0.25







SILVER



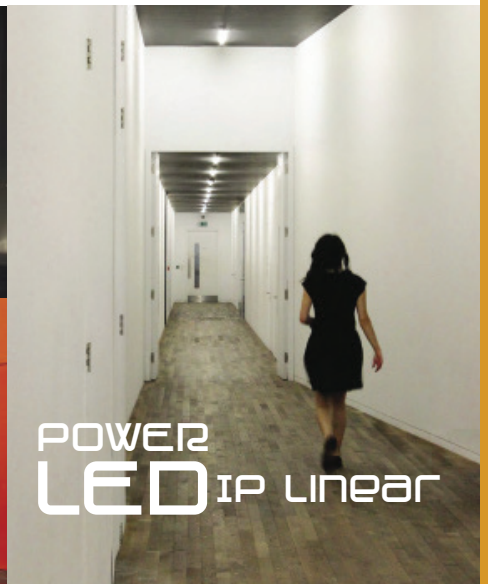
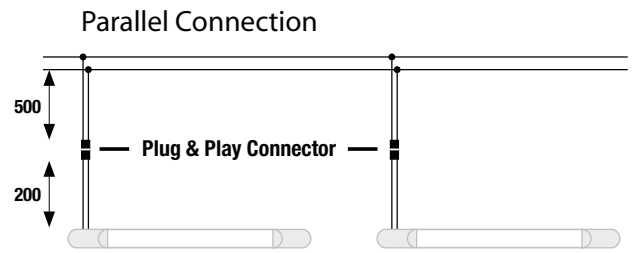
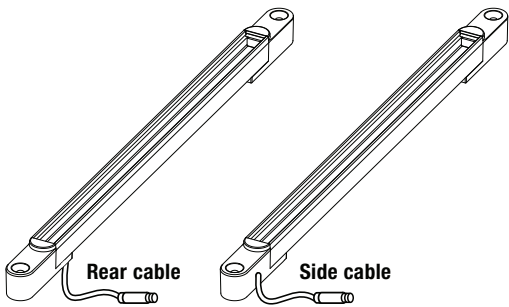
BLACK



WHITE



See back page for full range of unit lengths.



POWER2  
LED IP LINEAR

# POWERLED IP LINEAR

## OPTIONS

Frosted lens or opal diffuser  
 180mm to 2480mm lengths  
 3 colour temperatures: 2700K / 4000K / 5000K  
 2 unit colours: silver / black (white available on request)  
 Cable entry: rear / side

## FINISH

Anodised aluminium extrusion (silver & black) powder coated (white)  
 Resin sealed acrylic lens or diffuser  
 Polycarbonate end caps

## SPECIFICATION

Power input: 24VDC  
 Power consumption: 14W per metre  
 Power correction factor: >0.9  
 Typical CRI: Warm White 82 / Neutral White 82 / Cool White 82  
 Lumens per metre (Neutral White): frosted 1180 lm / opal 723 lm  
 Beam angle: frosted 80° / opal 120°  
 CE approved  
 Life: 50,000 hours  
 Dimensions (maximum): 2480mm x 20mm x 16mm  
 Weight: 390g per 1m length  
 Complete with male part of IP66 Plug & Play connector (200mm tail)

CODE	DESCRIPTION	UNIT		CABLE		OVERALL LENGTH			COLOUR TEMP		
		COLOUR		ENTRY		(100mm INCREMENTS)					
SL40914F-	PowerLED IP Linear Frosted lens	S	Silver	4	Rear	180	180mm	1.4W	W	Warm White	2700K
		B	Black	5	Side	380	380mm	4.2W			
SL409140-	PowerLED IP Linear Opal diffuser					580	580mm	7.0W	C	Cool White	5000K
						680	680mm	8.4W			
						980	900mm	12.6W			
						1180	1100mm	15.4W			
						1480	1400mm	19.6W			
						1980	1900mm	26.6W			
						2480	2400mm	33.6W			

## POWER SUPPLY

<b>T24DC-60-67</b>	60 VA 24VDC Transformer IP67
<b>T24DC-100-67</b>	100 VA 24VDC Transformer IP67
<b>T24DC-240-67</b>	240 VA 24VDC Transformer IP67
<b>T24DC-320-67</b>	320 VA 24VDC Transformer IP67

## ACCESSORIES

<b>SL400-PP</b>	Female part of cable connector (500mm tail)
<b>SL400-AT</b>	2 x Anti-tamper screws
<b>SL400-B</b>	Anti-tamper bit

## TYPICAL CODE

### SL40914F-S4-180-C

PowerLED IP Linear, frosted lens - Silver extrusion, rear cable entry - 180mm overall length - Cool White 5000K

# POWERLED HANDRAIL

## OPTIONS

3 colour temperatures: 2700K / 4000K / 5000K  
 Unit colours: silver (black & white available on request)

## FINISH

Anodised aluminium extrusion (silver & black) powder coated (white)  
 Resin sealed acrylic lens  
 Polycarbonate end caps

## SPECIFICATION

Power input: 24VDC  
 Power consumption: 4.2W  
 Power correction factor: >0.9  
 Lumen output: 385 lm  
 Beam angle: 80°  
 CE approved  
 Life: 50,000 hours  
 Complete with male part of IP66 Plug & Play connector (200mm tail)  
 Rear entry cable

CODE	DESCRIPTION	OVERALL LENGTH			COLOUR TEMP		
PLH	PowerLED Handrail Frosted lens	420	395mm	4.2W	W	Warm White	2700K
					N	Neutral White	4000K
					C	Cool White	5000K

## POWER SUPPLY

<b>T24DC-60-67</b>	60 VA 24VDC Transformer IP67
<b>T24DC-100-67</b>	100 VA 24VDC Transformer IP67
<b>T24DC-240-67</b>	240 VA 24VDC Transformer IP67
<b>T24DC-320-67</b>	320 VA 24VDC Transformer IP67

## ACCESSORIES

<b>SL400-PP</b>	Female part of cable connector (500mm tail)
<b>SL400-AT</b>	2 x Anti-tamper screws
<b>SL400-B</b>	Anti-tamper bit

## TYPICAL CODE

### PLH420-C

PowerLED Handrail, frosted lens - 395mm length - Cool White 5000K

We reserve the right to change specifications without notice. Photographs and drawings are for illustration purposes only.